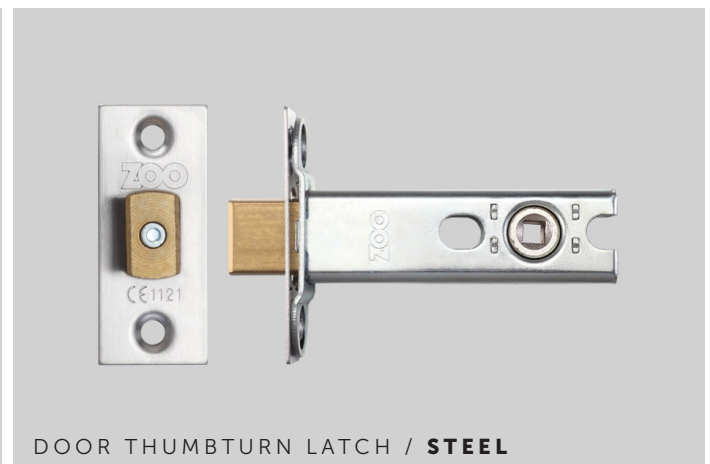
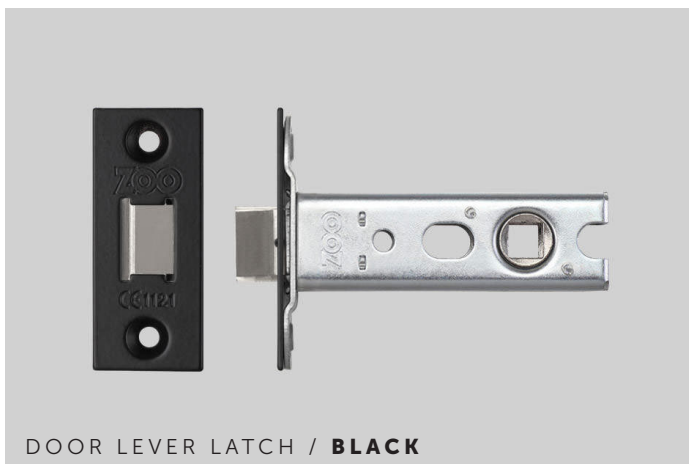


BUSTER + PUNCH

LONDON

ZOO HARDWARE / DOOR / TUBULAR LATCHES

TECH SPEC



TUBULAR LATCH

ZOO Hardware tubular latches designed to work in conjunction with UK door lever handles and thumbturn locks. High quality latches ensures a consistent feel everytime you open the door or use a thumbturn. Works great on all internal doors. Latches come with strike plates and face plates machined in three solid metal finishes; brass, steel and black.

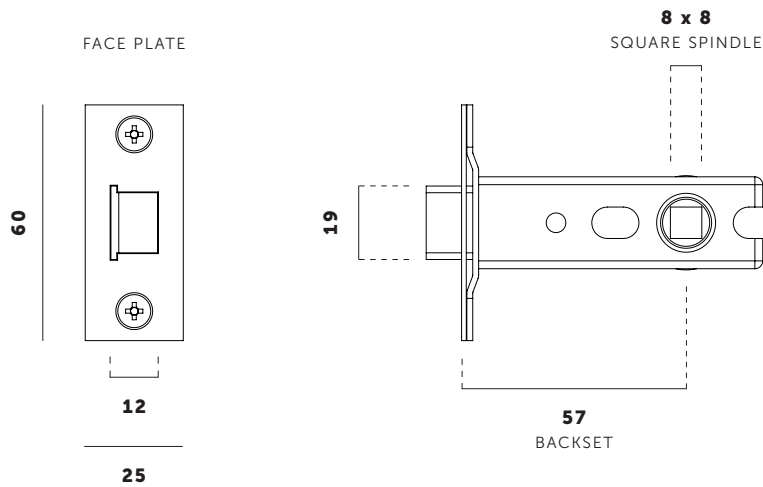
busterandpunch.com
info@busterandpunch.com






LONDON

ZOO DOOR LEVER LATCH / ZTLKA76HD

TECH SPEC



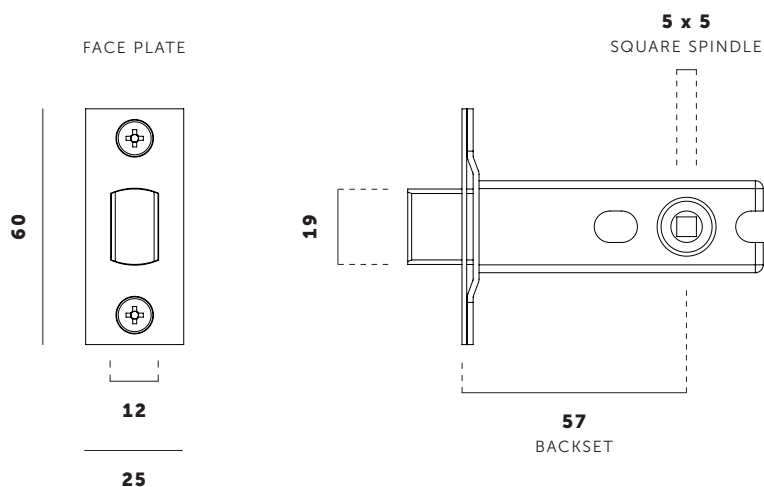
FINISH	ROW SKU	PRODUCT INFORMATION
 steel  brass  black	<p>ZTLKA76HD SS</p> <p>ZTLKA76HD BR</p> <p>ZTLKA76HD BL</p>	<p>SPECIFICATIONS: 15 x 22 x 76 mm body. 57 mm backset. Guided latch bolt. Heavy duty dual sprung. For use with UK specification door lever handles and door knobs.</p> <p>SUITABILITY: Suitable for domestic and commercial applications.</p> <p>BOX INCLUDES: 1 x tubular latch, face plate, strike plate, plastic dust box and all required fixings.</p> <p>FINISH: Brass plates / Steel tongue, Steel plates / Steel tongue or Black plates / Steel tongue.</p> <p>SPINDLE: 8 x 8 mm square spindle (supplied with B+P door lever handle sets).</p> <p>Care instructions Wipe with damp cloth with no loose hairs, avoid using any chemicals. Please note all finishes are prone to aging.</p> <p>DISCLAIMER: Always consult a trade professional when installing these door lever handles. Buster + Punch is not responsible for the usage or feasibility of installation requirements. This product is not suitable for damp or wet environments.</p>






LONDON

ZOO DOOR LEVER LATCH / ZTDA76

TECH SPEC



FINISH	ROW SKU	PRODUCT INFORMATION
 steel  brass  black	<p>ZTDA76 SS</p> <p>ZTDA76 BR</p> <p>ZTDA76 BL</p>	<p>SPECIFICATIONS: 15 x 22 x 76 mm body. 57 mm backset. 25 x 65 mm Forend. BS EN 1634-1. For use with UK specification thumbturn locks.</p> <p>SUITABILITY: Suitable for domestic and commercial applications.</p> <p>BOX INCLUDES: 1 x tubular latch, face plate, strike plate, plastic dust box and all required fixings.</p> <p>FINISH: Brass plates / Brass tongue, Steel plates / Brass tongue or Black plates / Brass tongue.</p> <p>SPINDLE: 5 x 5 mm square spindle (supplied with B+P thumbturn locks).</p> <p>Care instructions Wipe with damp cloth with no loose hairs, avoid using any chemicals. Please note all finishes are prone to aging.</p> <p>DISCLAIMER: Always consult a trade professional when installing these door lever handles. Buster + Punch is not responsible for the usage or feasibility of installation requirements. This product is not suitable for damp or wet environments.</p>